

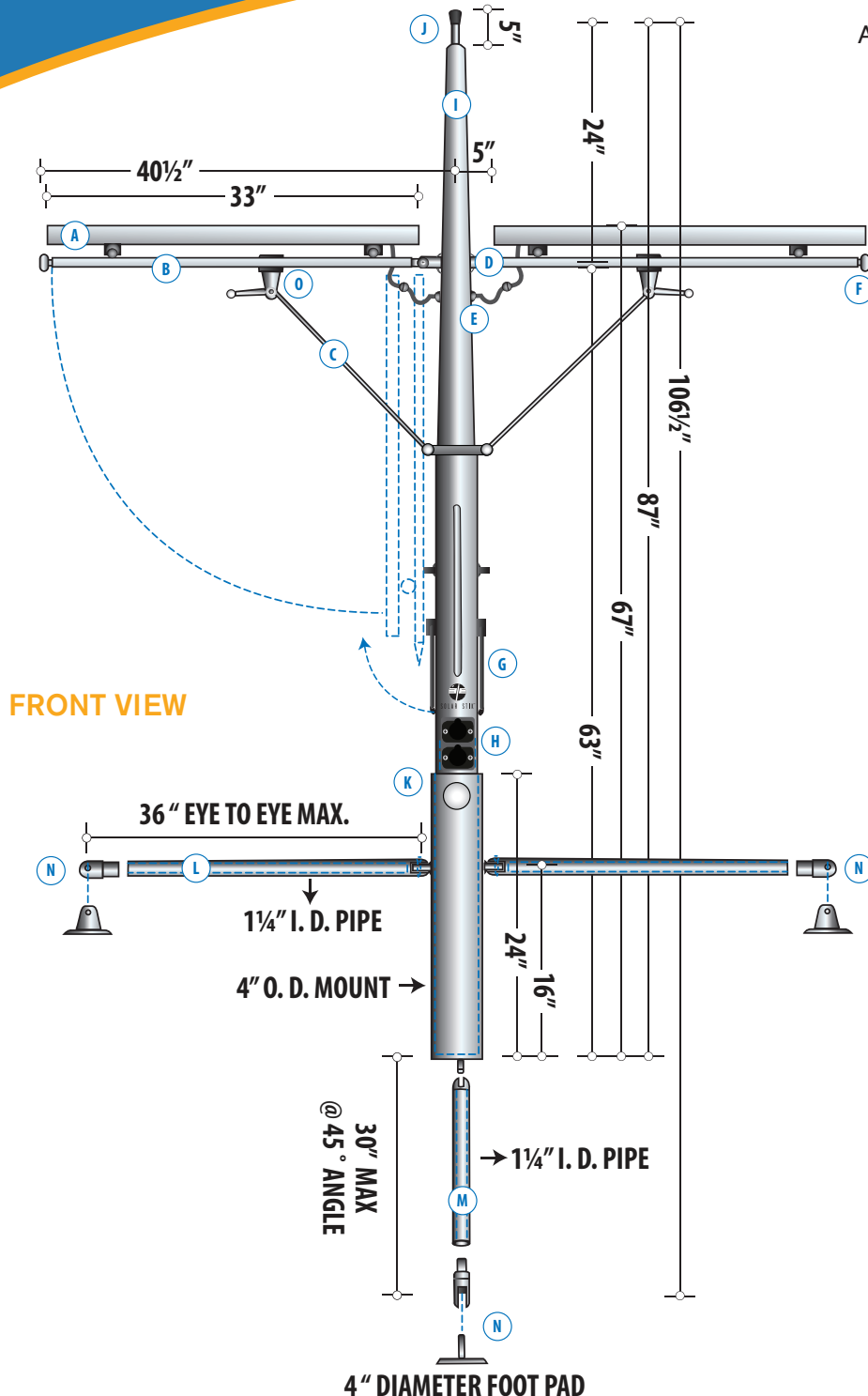


SOLAR STIK™

# SOLAR STIK™ 100 TRANSOM MOUNT SYSTEM TECHNICAL SPECIFICATIONS

PACKAGE ITEM #010102

T6061 Brushed Aluminum  
T5052 Support Arms (Mount)  
304-316 Stainless Steel  
Assembled Weight: 74 - 80 lbs (34 - 36.3 Kg)



- A** Solar Panel
- B** Panel Lifting Arm
- C** Lifting Arm Support
- D** Arm Hinge & Pin Assembly
- E** Panel to Mast Power Connection
- F** Tension Handle
- G** Panel Draw Latch
- H** Power Receptacles
- I** Mast
- J** Mast Top Mount
- K** Mast Socket
- L** Upper Support Arms
- M** Lower Support Arm
- N** Pin & Foot Assembly
- O** Sliding Clamp

800.793.4364  
**WWW.SOLARSTIK.COM**  
© 2011 SOLAR STIK™ INC. • ALL RIGHTS RESERVED

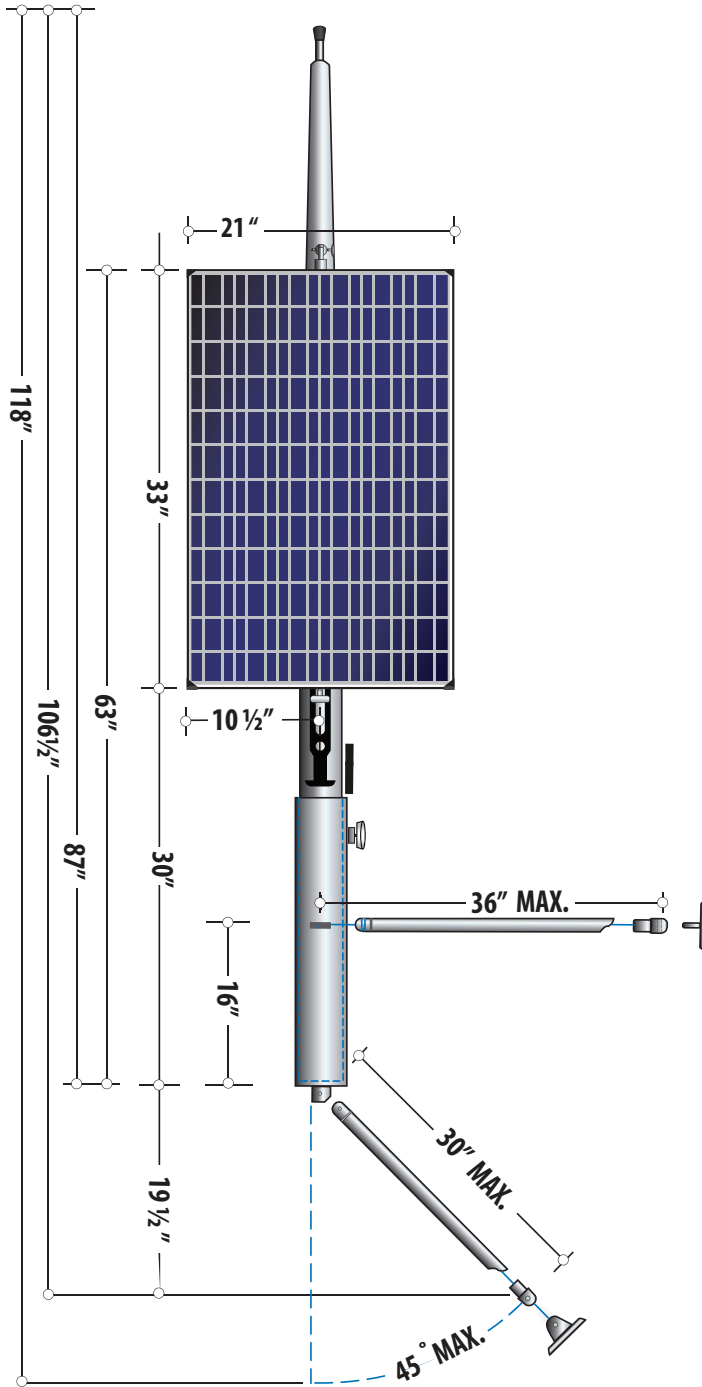


SOLAR STIK™

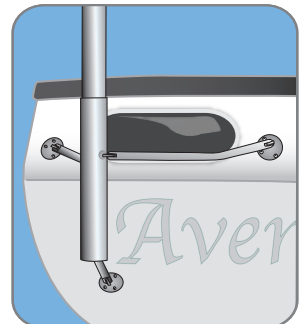
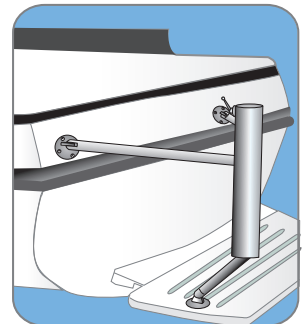
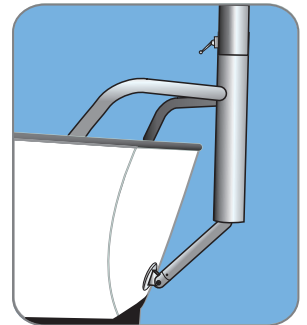
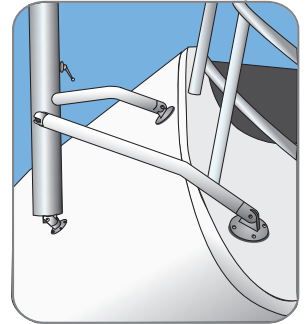
# SOLAR STIK™ 100 TRANSOM MOUNT SYSTEM TECHNICAL SPECIFICATIONS

PACKAGE ITEM #010102

## Installation Examples



SET SUPPORT ARM ANGLES AND CUT OR BEND TO FIT.



800.793.4364  
**WWW.SOLARSTIK.COM**  
© 2011 SOLAR STIK™ INC. • ALL RIGHTS RESERVED