



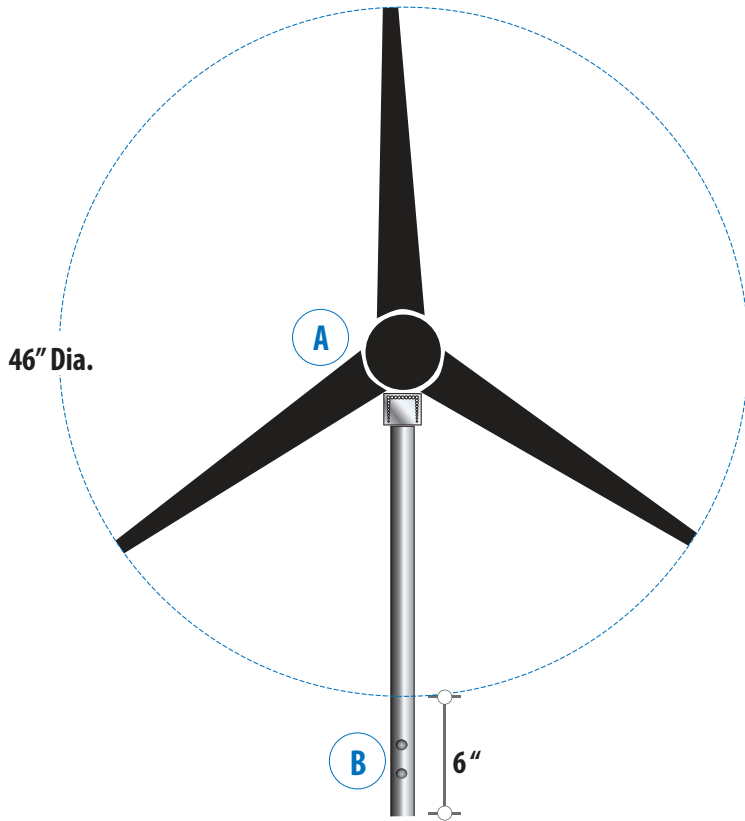
SOLAR STIK™ MARINE BREEZE/AIR-X DIMENSION SPECIFICATIONS

PACKAGE ITEM #010103

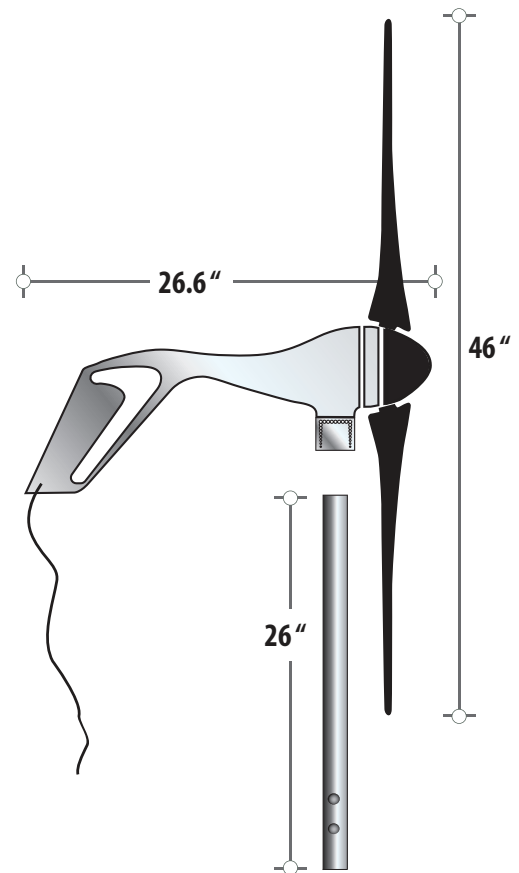
SOLAR STIK™

Mast Top Adapter
T6061 Brushed Aluminum
316 Stainless Steel Thumb Screws
Weight: 2 lbs (0.9 Kg)

Wind Generator Body
Cast Powder-coated Aluminum
316 Stainless Steel Hardware
Assembled Weight: 13 lbs (5.9 Kg)



FRONT VIEW



SIDE VIEW

- A** Wind Generator
- B** Mast Top Adapter